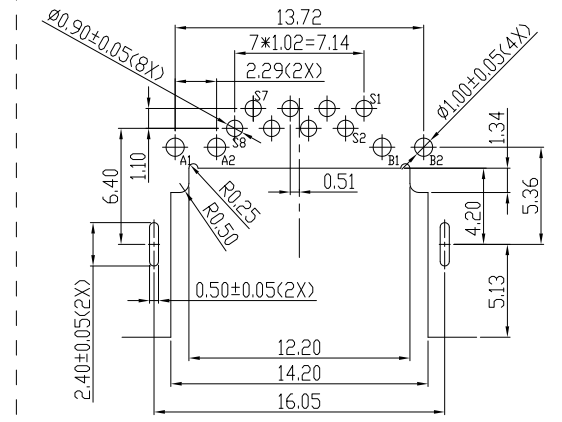
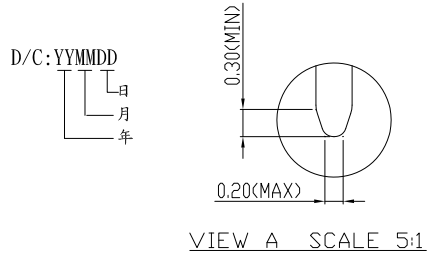
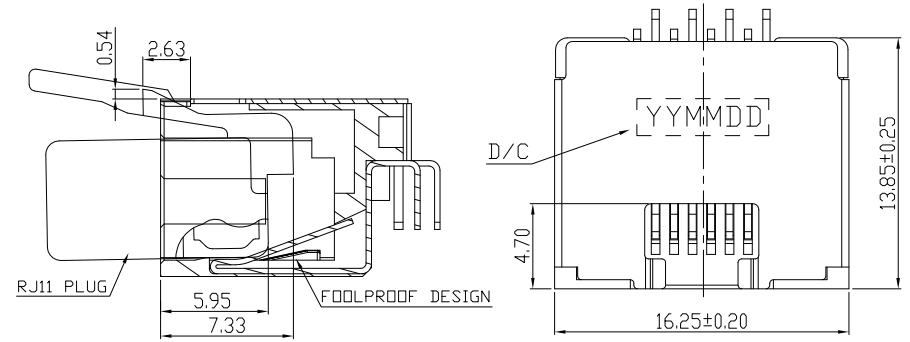


REV	DESCRIPTION	ECN/ECR	DATE	DRAWN BY
△	新訂圖面	—	04/01/2016	王奔

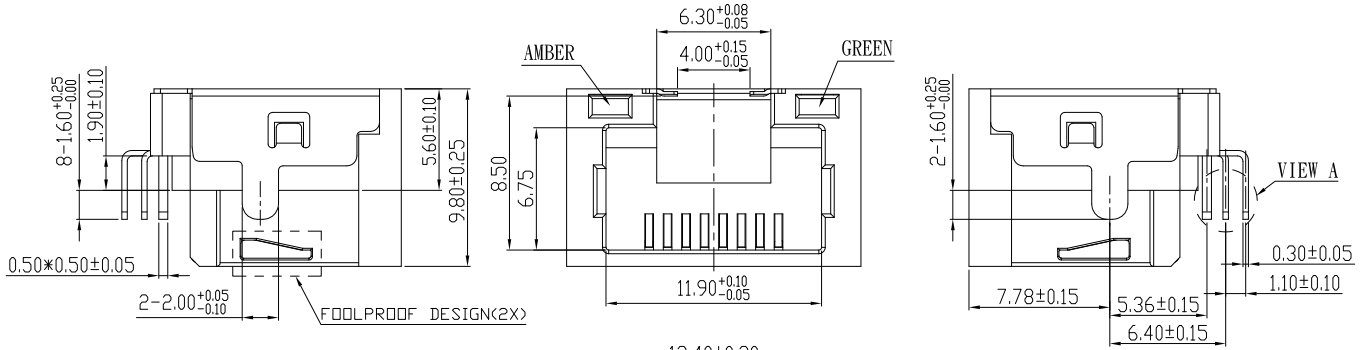
A  
B  
C  
D  
E  
F

A  
B  
C  
D  
E  
F



RECOMMENDED PCB LAYOUT  
TOLERANCE:±0.05mm  
RECOMMENDED PCB THICKNESS:1.20±0.05

- NOTES:  
1.MATERIAL:  
1-1:HOUSING:PA10T+35%GF(VICNYL R635NH);UL 94V-0, COLOR:BLACK  
1-2:TERMINAL:PHOSPHOR BRONZE(C5210R-EH);T=0.30mm TREATMENT:  
1.GOLD FLASH ON CONTACT AREA,MATTE SN 50u" MIN ON SOLDER TAIL,ALL OVER NI 50u" MIN.  
2.GOLD 30u" MIN ON CONTACT AREA,MATTE SN 50u" MIN ON SOLDER TAIL,ALL OVER NI 50u" MIN.  
1-3:SHELL:SUS(201);T=0.25mm,TREATMENT:50u" NI  
1-4:LED:AMBER/GREEN,TREATMENT:10u" Ag MIN, ALL OVER NI 30u" MIN.  
1-5:DEFEND:PC(E6808);UL 94V-0, COLOR:BLACK  
1-6:MYLAR:YELLOW  
2.SPECIFICATIONS:  
2-1.VOLTAGE RATING:150VAC MAX.  
2-2.CURRENT RATING:1.5AMP MAX.  
2-3.INSULATION RESISTANCE:500MΩ MIN. AT 500V DC.  
2-4.DIELECTRIC WITHSTANDING VOLTAGE: 500V AC 60HZ 1MINUTE.  
2-5.DURABILITY:5000 CYCLES.  
2-6.OPERATING TEMPERATURE:-30°C TO+70°C.  
2-7.FOR REFLOW SOLDERING LEAD-FREE PROCESS.



Part Number(客戶)	AU
RJN-026-1L12HG	G/F
RJN-026-1L12H6	30u"

LED ELECTRICAL CHARACTERISTIC			
NODE	COLOR	—	
A1(-) A2(+)	AMBER	A1 ←	A2
B1(-) B2(+)	GREEN	B1 ←	B2

TABLE:

30μ	CD4521052005	-02	WHITE NI	YES
G/F	CD4521052005	-01	WHITE NI	YES
AU PLATING	PART NUMBER-XX		SHELL PLATING	HF

**東莞世華電子有限公司**  
SHYH HWA ELECTRONICS CO.,LTD.(DONGGUAN)  
地址:東莞市塘廈鎮諸佛嶺178工業區  
TEL:0769-87910020-1 FAX:0769-87910210

DRAWN BY 王奔  
CHECKED BY  
APPROVED BY

ITEM  
PART NO

MINI RJ45 PHONE JACK(板上5.60mm)  
CD4521052005-XX

ANGLE PROJECTION  
UNIT mm  
SCALE 1:1  
TOLERANCE .X±0.20 .XX±0.10  
DATE 04/01/2016

1 2 3 4 5 6 7 8