

REV	DESCRIPTION	ECN/ECR	DATE	DRAWN BY
$\triangle A$	工程變更, 修改電鍍規格	ECN	05/21/2013	彭志婷
$\triangle B$	修改圖面	ECR	05/29/2013	彭志婷

SPECIFICATION

1.ELECTRICAL CHARACTERISTICS:

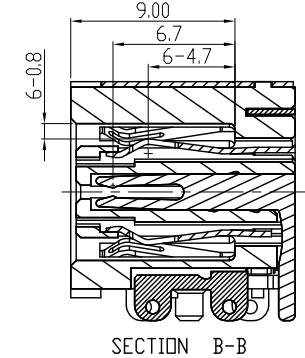
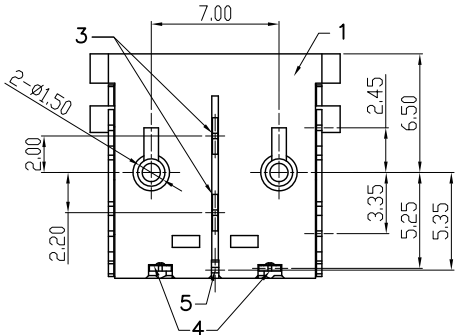
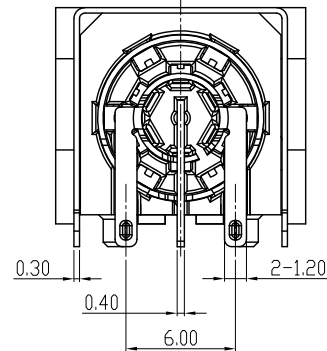
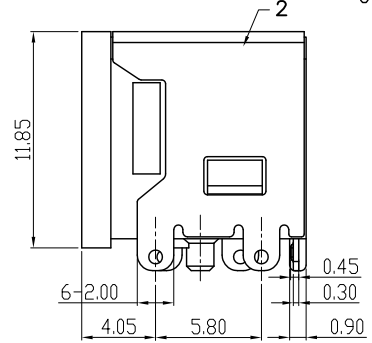
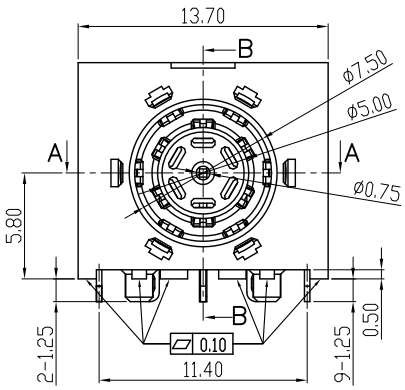
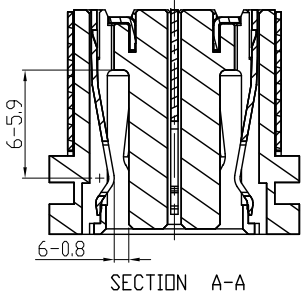
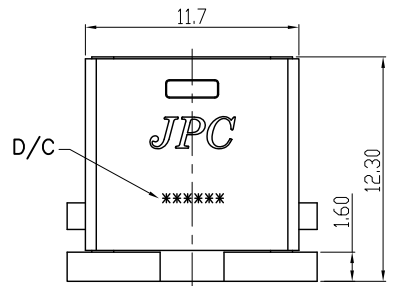
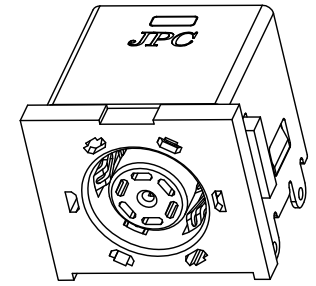
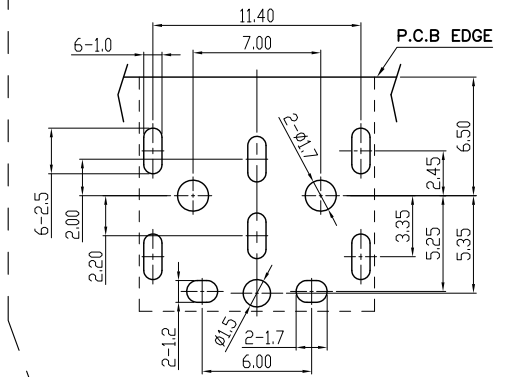
- 1-1.CURRENT RATING:POWER PIN 15A,ID PIN1A.
- 1-2.VOLTAGE RATING:30V.
- 1-3.DIELECTRIC WITHSTANDING VOLTAGE:150V AC FOR 1MINUTE.
- 1-4.INSULATION RESISTANCE:100M OHMS MIN.
- 1-5.CONTACT RESISTANCE:
INITIAL:10m OHMS MAX.
AFTER 5000 CYCLES:30m OHMS MAX.

2.MECHANICAL CHARACTERISTICS:

- 2-1.DURABILITY(MATING/UNMATING CYCLES):10000 CYCLES.
- 2-2.MATING FORCE:3.0kgf MAX.
- 2-3.UNMATING FORCE:0.3kgf MIN.

3.ENVIRONMENTAL CHARACTERISTICS:

- 3-1.OPERATING TEMPERATURE AND HUMIDITY RANGE:
-40°C TO +85°C,85% RH OR LESS.
- 3-2.TEMPERATURE RISE NOT EXCEED 30°C.




Build of material:

5	DC JACK CH5.8(JPC專用)-母端子	1	CD243992001-5	PHOSPHOR BRONZE;T=0.40mm	1u" GOLD/TIN	
4	DC JACK CH5.8(JPC專用)-內彈片	1	CD243992001-4	PHOSPHOR BRONZE;T=0.30mm	1u" GOLD	
3	DC JACK CH5.8(JPC專用)-外彈片	1	CD243992001-3			
2	DC JACK CH5.8(JPC專用)-膠殼	1	CD243992001-2	THERMOPLASTIC;UL 94 V-0	BLACK	
1	DC JACK CH5.8(JPC專用)-外殼	1	CD243992001-1	BRASS, T=0.30mm	吃錫霧鍍	
項次	名稱	數量	料號	材質	電鍍(或顏色)	備註


東莞世華電子有限公司
 SHYH HWA ELECTRONICS CO.,LTD.(DONGGUAN)
 地址:東莞市塘廈鎮諸佛嶺178工業區
 TEL:0769-87910020-1 FAX:0769-87910210

DRAWN BY 彭志婷
 CHECKED BY
 APPROVED BY

ITEM DC JACK CH5.8(JPC專用)
 PART NO CD445992001

ANGLE PROJECTION

 UNIT mm
 SCALE 1:1
 TOLERANCE .X: ±0.25
 .XX: ±0.15
 DATE 05/29/2013