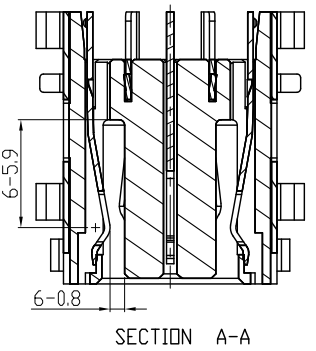
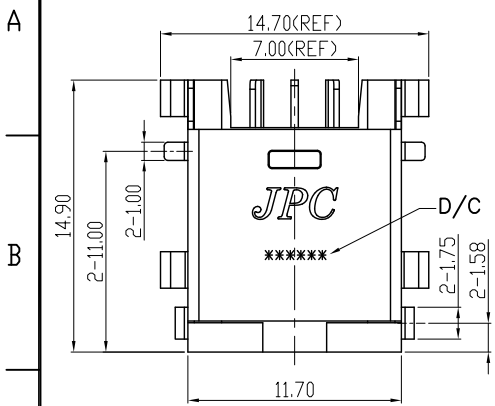


REV	DESCRIPTION	ECN/ECR	DATE	DRAWN BY
A	工程變更, 修改電鍍規格	ECN	05/21/2013	彭志婷
B	修改圖面	ECR	05/29/2013	彭志婷

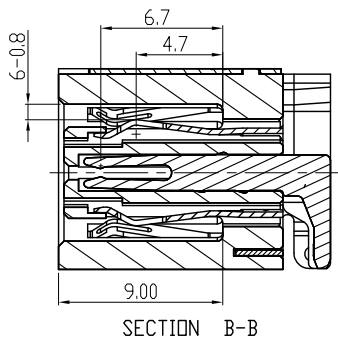
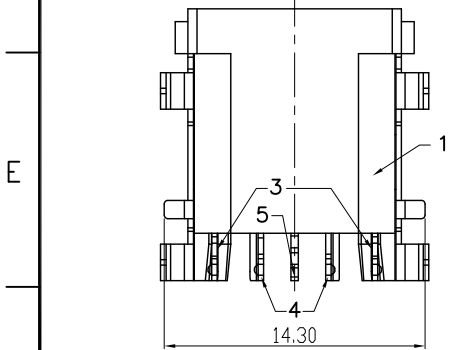
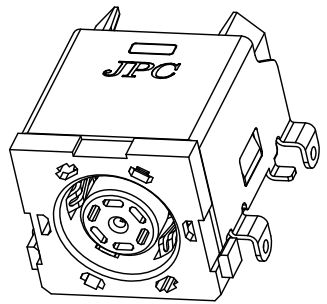
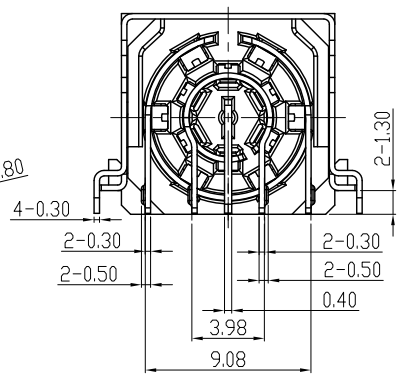
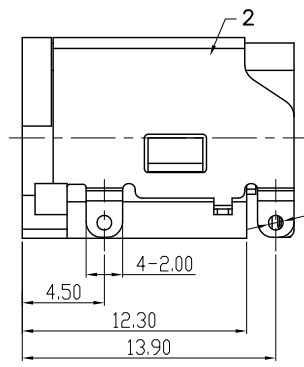
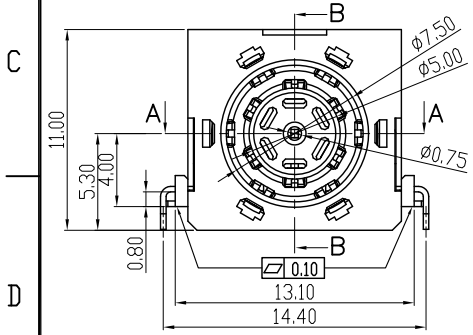
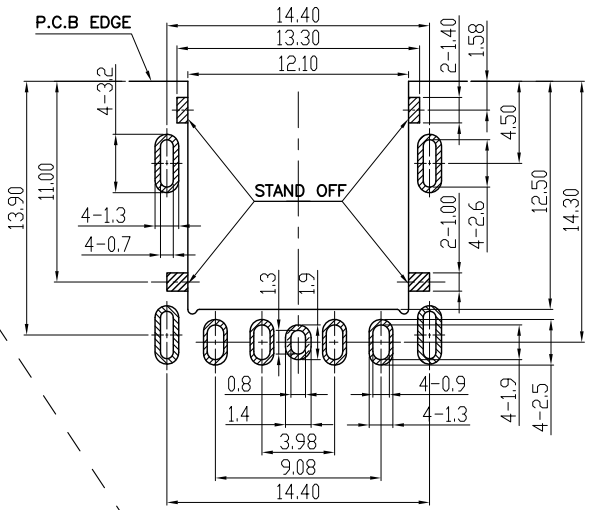


SPECIFICATION

1.ELECTRICAL CHARACTERISTICS:
 1-1.CURRENT RATING:POWER PIN 15A,ID PIN1A.
 1-2.VOLTAGE RATING:30V.
 1-3.DIELECTRIC WITHSTANDING VOLTAGE:150V AC FOR 1MINUTE.
 1-4.INSULATION RESISTANCE:100M OHMS MIN.
 1-5.CONTACT RESISTANCE:
 INITIAL:10M OHMS MAX.
 AFTER 5000 CYCLES:30M OHMS MAX.

2.MECHANICAL CHARACTERISTICS:
 2-1.DURABILITY(MATING/UNMATING CYCLES):>10000 CYCLES.
 2-2.MATING FORCE:3.0kgf MAX.
 2-3.UNMATING FORCE:0.3kgf MIN.

3.ENVIRONMENTAL CHARACTERISTICS:
 3-1.OPERATING TEMPERATURE AND HUMIDITY RANGE:
 -40°C TO +85°C,85% RH OR LESS.
 3-2.TEMPERATURE RISE NOT EXCEED 30°C.



Build of material:

項次	名稱	數量	料號	材質	電鍍(或顏色)	備註
5	DC JACK CH4.0(JPC專用)-母端子	1	CD243992002-5	PHOSPHOR BRONZE;T=0.40mm	1u" GOLD/TIN	
4	DC JACK CH4.0(JPC專用)-內彈片	1	CD243992002-4	PHOSPHOR BRONZE;T=0.30mm	1u" GOLD	
3	DC JACK CH4.0(JPC專用)-外彈片	1	CD243992002-3			
2	DC JACK CH4.0(JPC專用)-膠殼	1	CD243992002-2	THERMOPLASTIC;UL 94 V-0	BLACK	
1	DC JACK CH4.0(JPC專用)-外殼	1	CD243992002-1	BRASS,T=0.30mm	吃錫霧鍍	

東莞世華電子有限公司
 SHYH HWA ELECTRONICS CO.,LTD.(DONGGUAN)
 地址: 東莞市塘廈鎮諸佛嶺178工業區
 TEL: 0769-87910020-1 FAX: 0769-87910210

DRAWN BY	彭志婷	ITEM	DC JACK CH4.0(JPC專用)		ANGLE PROJECTION	UNIT	mm
CHECKED BY		PART NO	CD445992002			SCALE	1:1
APPROVED BY				TOLERANCE	.X: ±0.25 .XX: ±0.15	DATE	05/29/2013