

A

B

C

D

E

F

A

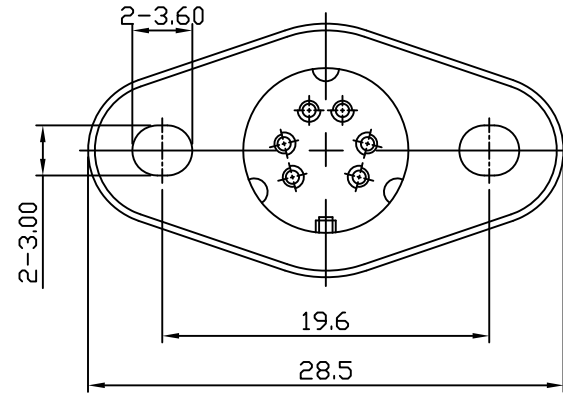
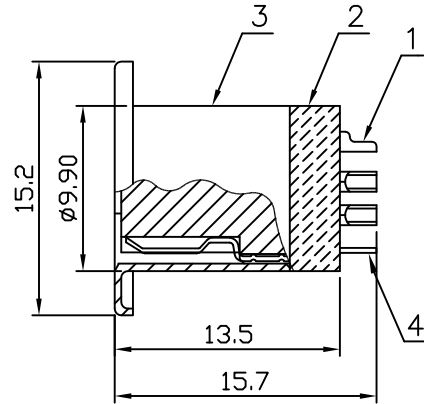
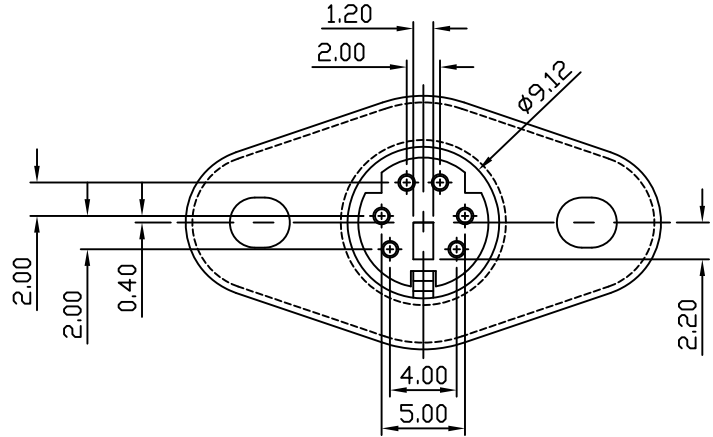
B

C

D

E

F



(焊線面)

TABLE3:

YY	COLOR
01	BLACK
02	GREEN
03	GRAY
04	BLUE

TABLE1:

XX	PLATING
01	NICKEL PLATED
03	GOLD FLASH PLATED

TABLE2:

XX	PLATING	YY	COLOR
00	NICKEL PLATED.	06	GOLD PLATED 10u" MIN.
01	TIN PLATED.	07	GOLD PLATED 15u" MIN.
02	SILVER PLATED.	08	GOLD PLATED 20u" MIN.
03	GOLD FLASH PLATED.	09	GOLD PLATED 30u" MIN.
04	GOLD PLATED 3u" MIN.	10	GOLD PLATED 50u" MIN.
05	GOLD PLATED 5u" MIN.	11	G.F/TIN PLATED
		12	3U"G./TIN PLATED

BOM:

項次	名稱	數量	料號	規格	備註
4	14.7L接地片	1	SL14712XX	PHOSPHOR BRONZE,T=0.30±0.03mm PLATING: SILVER PLATED	
3	3-8P 菱形母銅管 (橢圓孔)	1	FT0409101-A	BRASS,T=0.40±0.03MM PLATING: SEE TABLE1	
2	6P 母膠心	1	FE00060YY	PBT+15%GF,UL 94 V-0 COLOR: SEE TABLE3	
1	14.0L 杯口母PIN	6	PI31140XX	PHOSPHOR BRONZE,T=0.20±0.02mm PLATING: SEE TABLE2	

ELECTRICAL CHARACTERISTICS:  
 RATING: 100V AC 1A MAX or  
 12V DC 2A MAX  
 INSULATION RESISTANCE:  
 50mΩ MIN at 250V DC  
 DIELECTRIC STRENGTH:  
 250V AC/1 minute

**東莞世華電子有限公司**  
 SHYH HWA ELECTRONICS CO.,LTD.(DONGGUAN)  
 地址: 東莞市塘廈鎮諸佛嶺178工業區  
 TEL: 0769-7910020-1 FAX: 0769-7910210

DRAWN BY	孫洪力	ITEM	6P 菱形杯口母頭+接地片 (15.7L 橢圓)
CHECKED BY			
APPROVED BY			
PART NO	FR10601XX-DE	TOLERANCE	.X±0.2 .XX±0.10

ANGLE PROJECTION	UNIT	MM		
	SCALE	2.5:1		加標材質顏色表格 11/06/2007
DATE	11/06/2007	REVISION	DESCRIPTION	DATE

1

2

3

4

5

6

7

8