

1 2 3 4 5 6 7 8

A

B

C

D

E

F

A

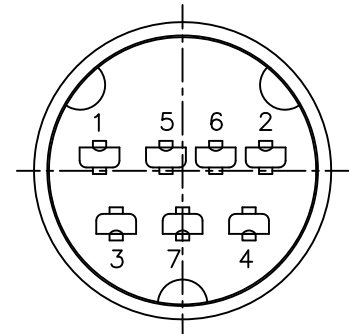
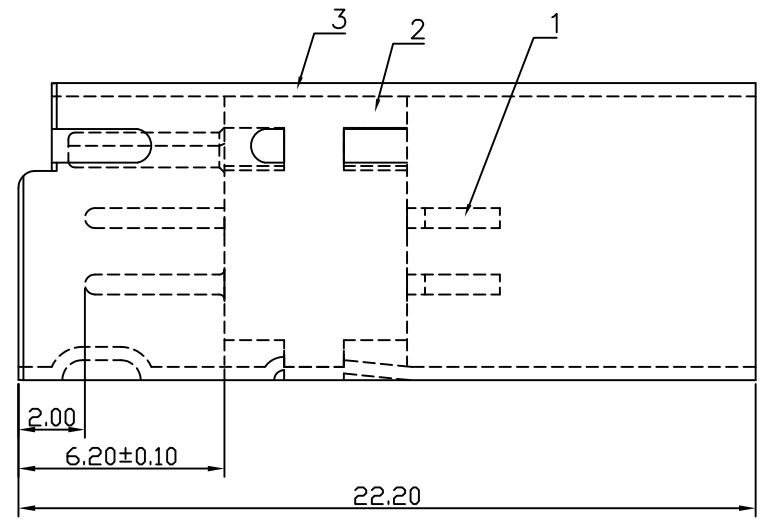
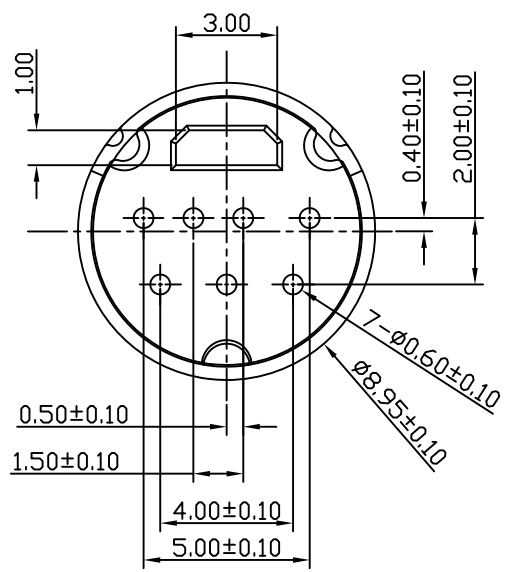
B

C

D

E

F



(焊線面)

3	SHELL	1	BRASS,t=0.40±0.03MM. NICKEL OR GOLD FLASH PLATED
2	INSULATOR	1	PBT+15%GF,UL 94 V-0
1	PIN	7	BRASS,T=0.60±0.05MM PLATING: SEE TABLE
項次	名稱	數量	規格

ELECTRICAL CHARACTERISTICS:
 RATING:100V AC 1A MAX or
 12V DC 2A MAX
 INSULATION RESISTANCE:
 50MΩ MIN at 250V DC
 DIELECTRIC STRENGTH:
 250V AC/1 minute
 膠心沖出銅管之沖力標準: 4.5kgf MIN

TABLE:

XX	PLATING	12	3U"G./TIN PLATED前金后錫
00	NICKEL PLATED.	13	5U"G./TIN PLATED前金后錫
01	TIN PLATED.	14	10U"G./TIN PLATED前金后錫
02	SILVER PLATED.	15	15U"G./TIN PLATED前金后錫
03	GOLD FLASH PLATED.	16	20U"G./TIN PLATED前金后錫
04	GOLD PLATED 3u" MIN.	17	30U"G./TIN PLATED前金后錫
11	G.F./TIN PLATED前金后錫	18	50U"G./TIN PLATED前金后錫

東莞世華電子有限公司
 SHYH HWA ELECTRONICS CO.,LTD.(DONGGUAN)
 地址:東莞市塘廈鎮諸佛嶺178工業區
 TEL:0769-7910020-1 FAX:0769-7910210

DRAWN BY	ITEM	7P AMP方口公頭 (銅管22.2L PIN12.5L)	ANGLE PROJECTION	UNIT	MM		
CHECKED BY	PART NO	HM07002XX-3J		SCALE	5:1		新訂圖面 01/25/2003
APPROVED BY	TOLERANCE	X.XX±0.20	DATE	01/25/2003	REVISION	DESCRIPTION	DATE

1 2 3 4 5 6 7 8