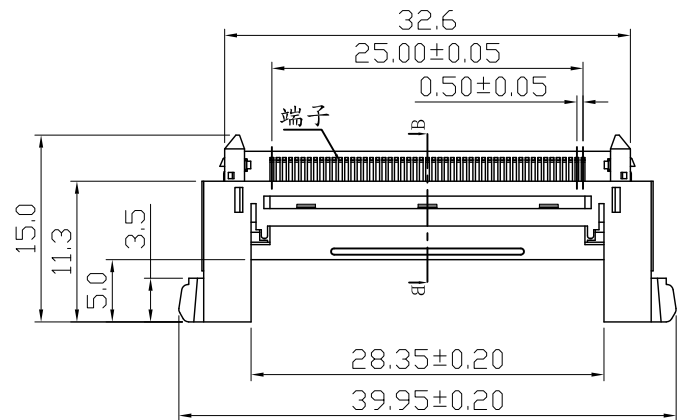
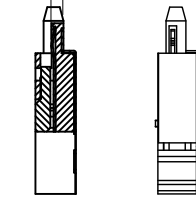


1 2 3 4 5 6 7 8

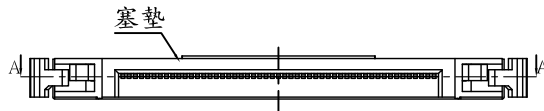
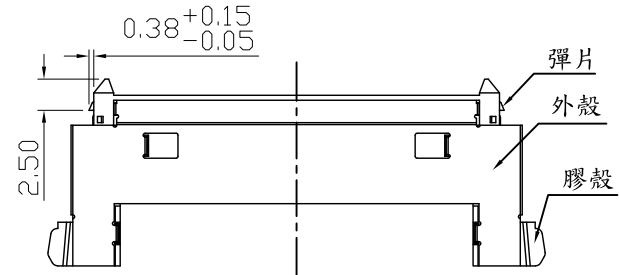
A



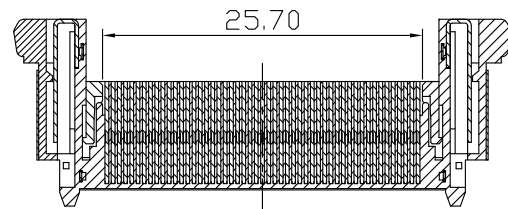
$0.95^{+0.05}_{-0.02}$



B-B 剖面



A-A 剖面



Build of material:

項次	名稱	數量	料號	材質	電鍍(或顏色)	備註
5	51P 翻蓋式線端公頭-外殼	1	DP051952002-5	SUS(301), T=0.15±0.02MM		衝壓件
4	51P 翻蓋式線端公頭-塞墊	1	DP051952002-4	PA46, UL 94 V-0	BLACK	成型件
3	51P 翻蓋式線端公頭-彈片	1	DP051952002-3	SUS(301), T=0.30±0.02MM		衝壓件
2	51P 翻蓋式線端公頭-端子	51	DP051952002-2	PHOSPHOR BRONZE(C5210R-H) T=0.15±0.02mm	前8u"金后錫	衝壓件
1	51P 翻蓋式線端公頭-膠心	1	DP051952002-1	PA46, UL 94 V-0	BLACK	成型件

SPECIFICATIONS:

1. ELECTRICAL:

1-1. INSULATION RESISTANCE:

100MΩ Min at 500V DC

1-2. CONTACT RESISTANCE: 40mΩ Max.

1-3. DIELECTRIC WITHSTANDING VOLTAGE:

500V AC/2 Second.

2. ENVIRONMENTAL:

OPERATING TEMPERATURE: -25°C TO +55°C.

F

 **東莞世華電子有限公司**
SHYH HWA ELECTRONICS CO., LTD. (DONGGUAN)
地址: 東莞市塘廈鎮諸佛嶺178工業區
TEL: 0769-7910020-1 FAX: 0769-7910210

DRAWN BY 許華

CHECKED BY

APPROVED BY

ITEM

51P 翻蓋式線端公頭

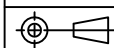
PART NO

DP051952002

TOLERANCE

.X±0.2
.XX±0.10

ANGLE PROJECTION



UNIT

mm

SCALE

2:1

DATE

10/16/2006



REVISION

新訂圖面

DESCRIPTION

10/16/2006

DATE

1 2 3 4 5 6 7 8

A

B

C

D

E

F