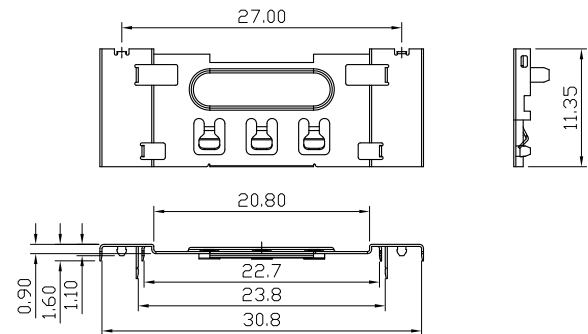
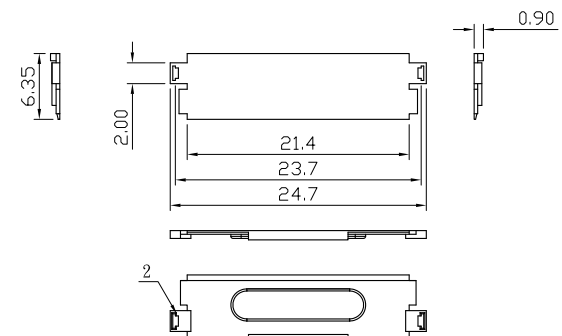
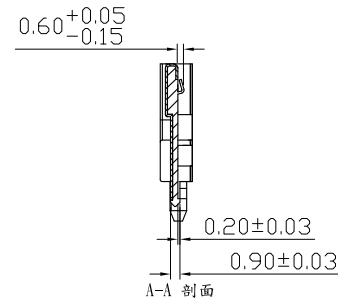
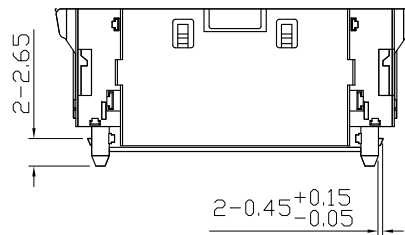
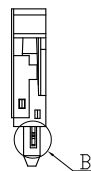
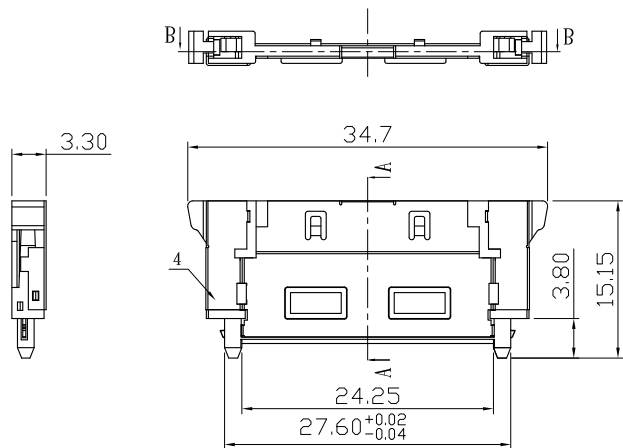


2\*B部 SCALE 4:1



DP041952002-4



DP041952002-2

Build of material:

項次	名稱	數量	料號	材質	電鍍(或顏色)	備註
6	41P線端公頭-下蓋	1	DP041952002-4	SUS(301), 1/2H T=0.20±0.02mm		衝壓件
5	41P線端公頭-上蓋	1	DP041952002-3	SUS(301), 1/2H T=0.20±0.02mm		衝壓件
4	41P線端公頭-左彈片	1	DP041952002-6	SUS(301), T=0.30±0.02mm		衝壓件
3	41P線端公頭-右彈片	1	DP041952002-7	SUS(301), T=0.30±0.02mm		衝壓件
2	41P線端公頭-塞墊	1	DP041952002-2	PA46, UL 94 V-0	BLACK	成型件
1	41P線端公頭(無PIN式)-膠心	1	DP041952003-1	HIGHT TEMPERATURE MATERIAL	BLACK	成型件

SPECIFICATIONS:

1. ELECTRICAL:

- 1-1. INSULATION RESISTANCE:  
100MΩMin at 500V DC
- 1-2. CONTACT RESISTANCE: 40mΩMax.
- 1-3. DIELECTRIC WITHSTANDING VOLTAGE:  
500V AC/2 Second.
- 2. ENVIRONMENTAL:  
OPERATING TEMPERATURE: -25°C TO +55°C.

**東莞世華電子有限公司**  
SHYH HWA ELECTRONICS CO.,LTD.(DONGGUAN)  
地址:東莞市塘廈鎮諸佛嶺178工業區  
TEL:0769-7910020-1 FAX:0769-7910210

DRAWN BY 曹浩  
CHECKED BY  
APPROVED BY

ITEM 41P線端公頭-無PIN式  
PART NO DP041952003 TOLERANCE .X±0.2 .XX±0.10

ANGLE PROJECTION UNIT mm SCALE 2:1 DATE 09/20/2010

REVISION DESCRIPTION DATE 09/20/2010 工程變更 09/20/2010