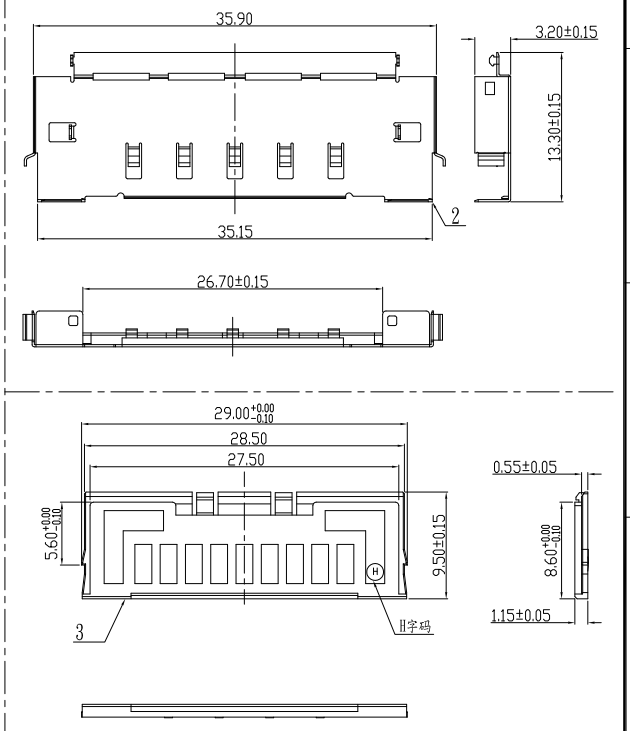
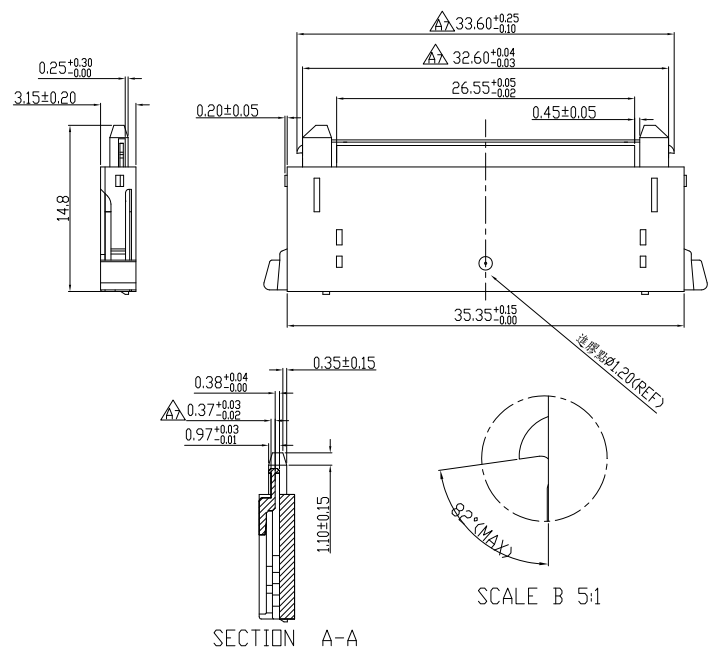
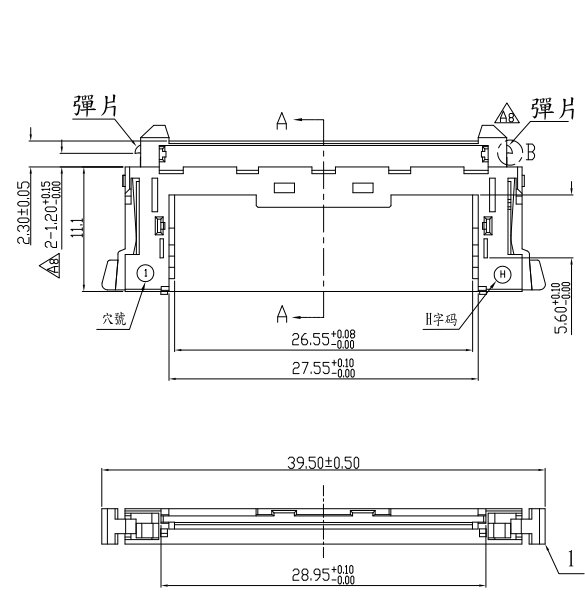


REV	DESCRIPTION	ECN/ECR	DATE	DRAWN BY
△A	設計變更, 增加定位槽	ECR	08/24/2012	陳俊武
△A	設計變更, 取消定位槽及修改公差	ECR	09/03/2012	陳俊武
△A	修改膠殼倒角寬度及卡鉤置入深度	ECR	07/15/2014	彭志婷



Build of material:

項次	名稱		數量	料號	材質	電鍍(或顏色)	備註
3	51P 外扣式公頭-無PIN式(Key2.5)-塞墊		1	DP0001002015-2	HTN(無齒) UL 94 V-0	BLACK	零件出貨
2	51P 外扣式公頭-無PIN式(Key2.5)-外殼		1	DP0001002015-4	SUS(301), T=0.20±0.02MM		沖壓件
1	51P 外扣式公頭-無PIN式(Key2.5)-半成品	41P 線端公頭-右彈片	2	DP041952002-7	SUS(301), T=0.30±0.02MM		組裝出貨
		51P 外扣式公頭-無PIN式(Key2.5)-膠心	1	DP0001002015-1	LCP UL 94 V-0	BLACK	

SPECIFICATIONS:

- ELECTRICAL:
 - INSULATION RESISTANCE: 50MΩ Min at 250V DC
CONTACT RESISTANCE: 5Ω.
 - CONTACT RESISTANCE: 40mΩ Max.
 - DIELECTRIC WITHSTANDING VOLTAGE: 250V AC/0.1 Second.
- MECHANICAL:
 - MATING FORCE: 3.0kgf(Max).
 - WITHDRAWAL FORCE: 5.0kgf(Min).
- ENVIRONMENTAL: OPERATING TEMPERATURE: -25°C TO +55°C.
- The roughness of the products needs to limit to 0.10mm


東莞世華電子有限公司
 SHYH HWA ELECTRONICS CO., LTD. (DONGGUAN)
 地址: 東莞市塘廈鎮諸佛嶺178工業區
 TEL: 0769-87910020-1 FAX: 0769-87910210

DRAWN BY	彭志婷	ITEM	51P 外扣式公頭-無PIN式 (Key2.5)(JPC專用)		ANGLE PROJECTION	UNIT	mm
CHECKED BY			PART NO	DP0001002015	TOLERANCE	$.X \pm 0.20$ $.XX \pm 0.10$	SCALE
APPROVED BY							DATE